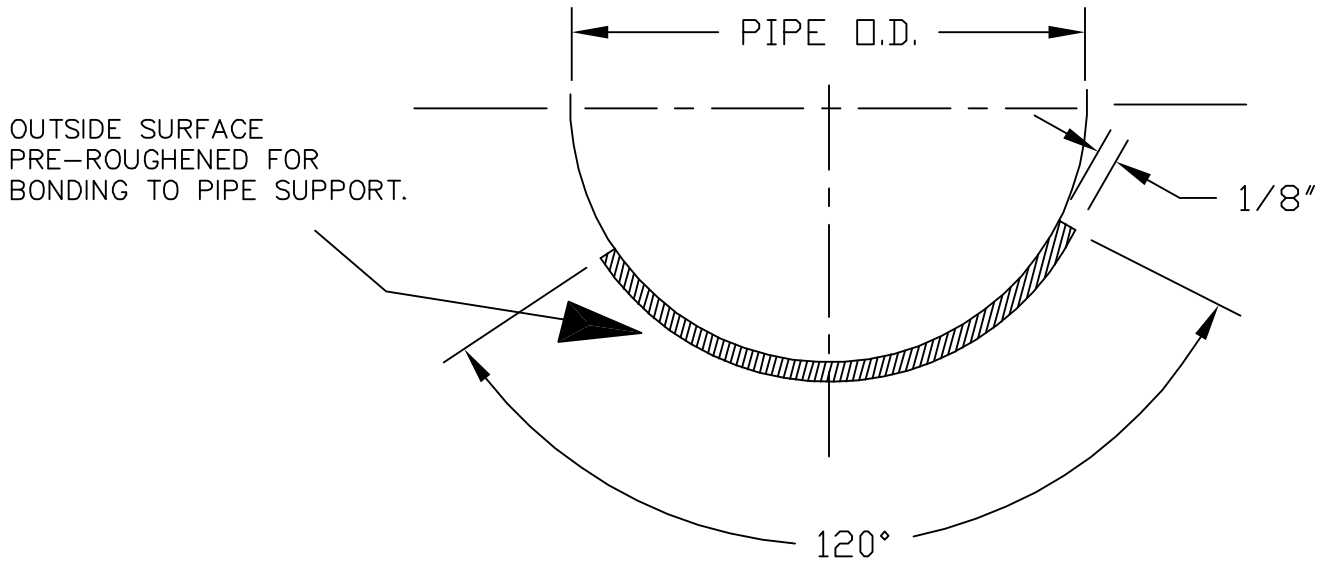
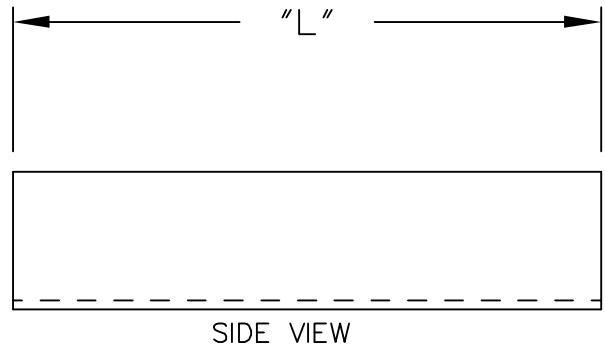


# "ADVANTEK" PIPE CLAMP LINER

All ADVANTEK Products  
come complete with the  
Adhesive necessary for  
installation.



OUTSIDE SURFACE  
PRE-ROUGHENED FOR  
BONDING TO PIPE SUPPORT.

ORDER BY FIG. NO. PCL(NPS)-120(L)

## NOTES:

1. RESIN TO BE DERAKANE 510C-350, WITH 3% ANTIMONY TRIOXIDE ADDED FOR CLASS 1 FLAME SPREAD RATING.
2. PIPE CRADLE TO BE OF ALL-MAT CONSTRUCTION.
3. OUTSIDE SURFACE TO BE ROUGHENED FOR BONDING TO PIPE SUPPORT.
4. TO BE INSTALLED USING 2 PART STRUCTURAL EPOXY, MIXING NOZZLE & EPOXY APPLICATION GUN
5. PART NO. B(NPS)-12012

REV. NO.	REVISION	BY	DATE	PIPE CLAMP LINER	
0	ISS. FOR CUST. COMMENT	TB	02/07/06	ADVANTAGE INDUSTRIAL SOLUTIONS FRP WEAR PAD DETAILS	
				FIGURE NO.	PCL-120L
				REV.	0