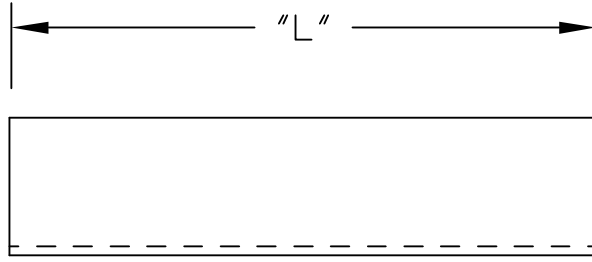
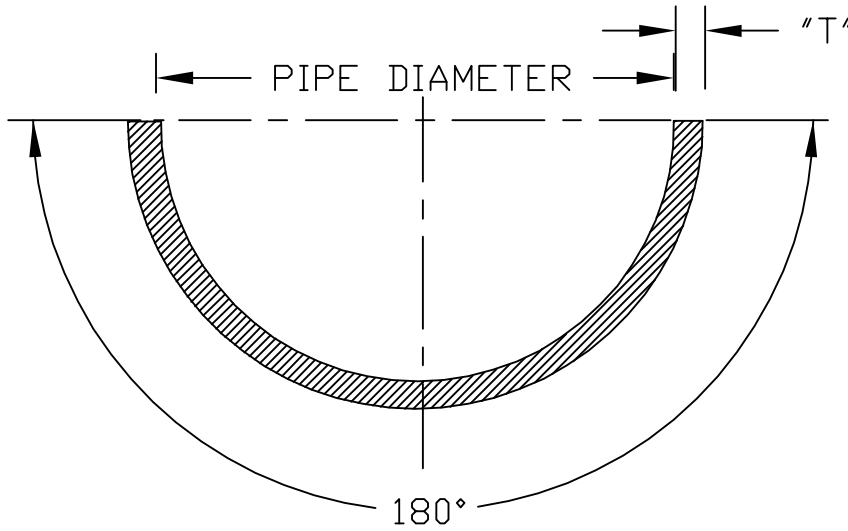


"ADVANTEK" REINFORCING CRADLE FOR FRP PIPE

All ADVANTEK Products come complete with the Adhesive necessary for installation.



SIDE VIEW



N.P.S.	"T"	"L"
UP TO 16"	1/4"	6"
18" AND OVER	3/8"	8"

ORDER BY FIG. NO. FPRC-(NPS)

NOTES:

1. RESIN TO BE DERAKANE 510C-350, WITH 3% ANTIMONY TRIOXIDE ADDED FOR CLASS 1 FLAME SPREAD RATING.
2. PIPE CRADLE TO BE OF ALL-MAT CONSTRUCTION & MOLDED TO FIT PIPE OUTSIDE DIAMETER.
3. INSIDE SURFACE TO BE ROUGHENED FOR BONDING TO PIPE.
4. TO BE INSTALLED USING 2 PART STRUCTURAL EPOXY, MIXING NOZZLE & EPOXY APPLICATION GUN
5. MAXIMUM OPERATING TEMPERATURE -423°F TO +350°F

REV. NO.	REVISION	BY	DATE	180° FRP PIPE REINFORCING CRADLE
0	ISS. FOR CUST. COMMENT	TB	09/16/05	
				ADVANTAGE INDUSTRIAL SOLUTIONS
				TEL (832)237-7500 - FAX (832)237-7501
				DWG. NO. FPRC
				REV. 0