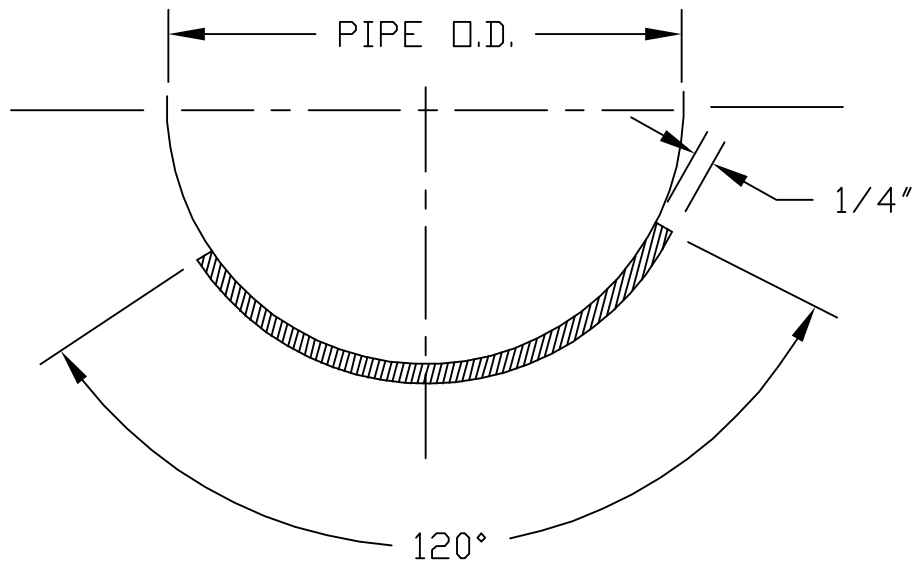
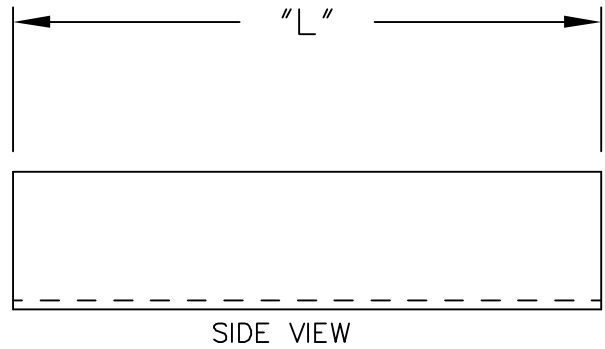


# "ADVANTEK" 120° WEAR PAD

All ADVANTEK Products  
come complete with the  
Adhesive necessary for  
installation.



ORDER BY FIG. NO. B(NPS)-120(L)

NOTES:

1. RESIN TO BE DERAKANE 510C-350, WITH 3% ANTIMONY TRIOXIDE ADDED FOR CLASS 1 FLAME SPREAD RATING.
2. PIPE CRADLE TO BE OF ALL-MAT CONSTRUCTION.
3. INSIDE SURFACE TO BE ROUGHENED FOR BONDING TO PIPE.
4. TO BE INSTALLED USING 2 PART STRUCTURAL EPOXY, MIXING NOZZLE & EPOXY APPLICATION GUN
5. PART NO. B(NPS)-12012

REV. NO.	REVISION	BY	DATE	120° ADVANTEK FRP WEAR PAD
0	ISS. FOR CUST. COMMENT	TB	02/07/06	
				ADVANTAGE INDUSTRIAL SOLUTIONS FRP WEAR PAD DETAILS
				FIGURE NO. B-120L
				REV. 0